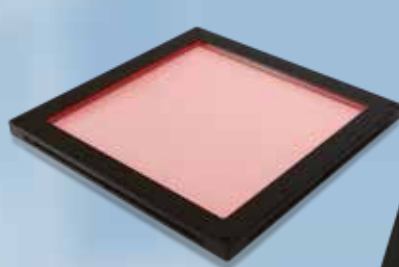


LFX3 Series Line Pattern Lights

A cutting-edge method for inspecting bumps on a reflective surface

Workpiece: Mirrors, metal sheets, films, glass parts, liquid crystal parts, etc.



LFX3-100RD-PT-B



LFX3-200SW-PT-B

Special Order Products

- **Line pitch**
1 mm: The end of the model name is "A."
2 mm: The end of the model name is "B."
- **Emitting surface size**
50x50, 75x75, 100x100,
150x150, 200x200 mm
- **LED color**
Red, white, blue, infrared

Detect Gentle, Hard-to-find Bumps on Reflective Surfaces

Workpiece: Metal sheet



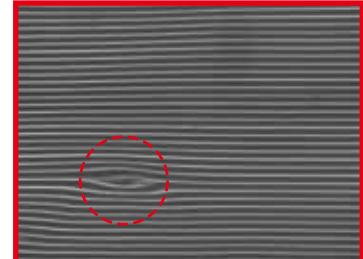
Detecting bumps

Coaxial Lights



Coaxial Lights illuminate the whole surface evenly, making it difficult to detect the bumps.

Line Pattern Lights



Line Pattern Lights highlight the bumps as curved lines.

Two types of line patterns available to match your inspection conditions

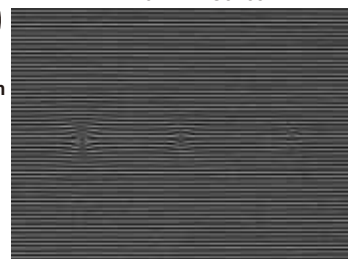
Imaging examples



Narrow pitch

1 mm type

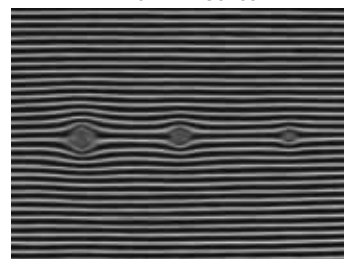
LFX3-PT-A Series



Distance: 30 mm

2 mm type

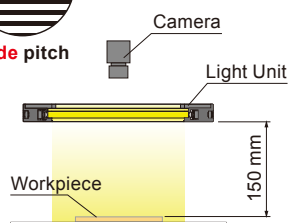
LFX3-PT-B Series



Distance: 150 mm



Wide pitch



The distance from the Light Unit to the workpiece is long.

The distance from the Light Unit to the workpiece is short.

Common Specifications

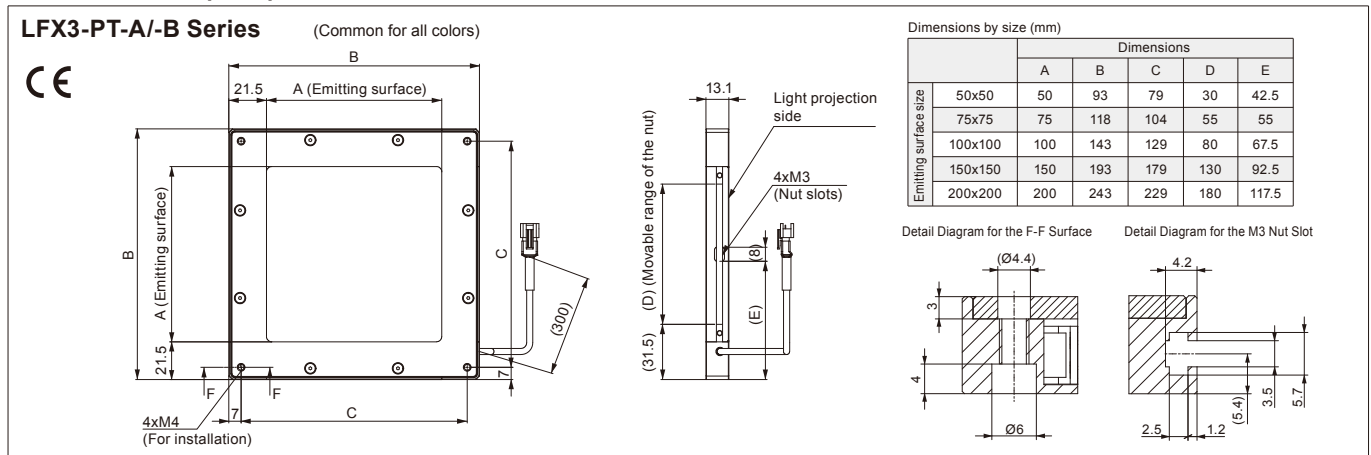
Series	LFX3-PT-A Series				LFX3-PT-B Series				Case material	Aluminum alloy, Resin (Light-guiding plate, protective plate)
Type	1 mm pitch				2 mm pitch				Cable length	300 mm
LED color	Red	White	Blue	Infrared	Red	White	Blue	Infrared	Operating env. (indoors only)	Temperature: 0 to 40°C, Humidity: 20 to 85%RH (with no condensation)
Correlated color temp. (typ.)	-	6,800 K	-	-	-	6,800 K	-	-	Storage environment	Temperature: -20 to 60°C, Humidity: 20 to 85%RH (with no condensation)
Peak wavelength (typ.)	632 nm	-	469 nm	857 nm	632 nm	-	469 nm	857 nm	Cooling method	Natural air-cooling
Input voltage (max.)	24 VDC								Light spectrum	
Connector	SM connector (SMR-03V-B)									
Polarity, signal	1:(+), 2: NC, 3: (-)									
CE marking	Safety standard: Conforms to EN62471									
Environmental regulations	RoHS compliant									

Note: The data included is for reference only. Results for individual products may vary.

Product Lineup

Model name	LED color	Emitting surface size	Power consumption (max.)	Peak wavelength/ Correlated color temperature (typ.)	Weight (max.)
LFX3-50RD-PT-A/-B	Red	50 mm x 50 mm	13 W	632 nm	230 g
LFX3-50SW-PT-A/-B	White		12 W	6,800 K	
LFX3-50BL-PT-A/-B	Blue		6.1 W	469 nm	
LFX3-50IR860-PT-A/-B	Infrared		6.6 W	857 nm	
LFX3-75RD-PT-A/-B	Red	75 mm x 75 mm	13 W	632 nm	320 g
LFX3-75SW-PT-A/-B	White		18 W	6,800 K	
LFX3-75BL-PT-A/-B	Blue		9.1 W	469 nm	
LFX3-75IR860-PT-A/-B	Infrared		14 W	857 nm	
LFX3-100RD-PT-A/-B	Red	100 mm x 100 mm	19 W	632 nm	400 g
LFX3-100SW-PT-A/-B	White		23 W	6,800 K	
LFX3-100BL-PT-A/-B	Blue		13 W	469 nm	
LFX3-100IR860-PT-A/-B	Infrared		14 W	857 nm	
LFX3-150RD-PT-A/-B	Red	150 mm x 150 mm	25 W	632 nm	620 g
LFX3-150SW-PT-A/-B	White		35 W	6,800 K	
LFX3-150BL-PT-A/-B	Blue		19 W	469 nm	
LFX3-150IR860-PT-A/-B	Infrared		20 W	857 nm	
LFX3-200RD-PT-A/-B	Red	200 mm x 200 mm	37 W	632 nm	910 g
LFX3-200SW-PT-A/-B	White		46 W	6,800 K	
LFX3-200BL-PT-A/-B	Blue		25 W	469 nm	
LFX3-200IR860-PT-A/-B	Infrared		27 W	857 nm	

Dimensions (mm)



- Dirt or dust on the surface of the emitting surface may affect the captured image. Handle the emitting surface with care. Make sure no dirt, dust, or fingerprints get on the Light Unit.
- Remove dirt and dust by blowing air rather than by hand.
 - Use a soft, finely woven cloth to wipe away any marks, such as fingerprints.
 - Use a soft, finely woven cloth soaked with diluted neutral detergent to remove any heavy dirt.

“CCS”, “LIGHTING SOLUTION”, and “LFX” are registered trademarks or trademarks of CCS Inc.

CAUTION

- To ensure proper and safe use of the product, please read the Instruction Guide completely before using the product.
- The design and specifications of this product are subject to change without notification for product improvement.



CCS Inc.

Headquarters

Shimodachiuri-agaru, karasuma-dori, kamigyo-ku,
Kyoto 602-8011 JAPAN
TEL : +81-75-415-8284 / FAX : +81-75-415-8278
URL : <http://www.ccs-grp.com/>
E-mail : sales@ccs-inc.co.jp

CCS Asia PTE LTD

63 Hillview Avenue #07-10, Lam Soon Industrial
Building, Singapore 669569
TEL : +65-6769-1669 / FAX : +65-6769-3422
URL : <http://www.ccs-asia.com.sg/>
Email : sales@ccs-asia.com.sg

CCS America, Inc

5 Burlington Woods Suite 204, Burlington, MA 01803 USA
TEL : +1-781-272-6900 / FAX : +1-781-272-6902
URL : <http://www.ccsamerica.com/>
Email : info@ccsamerica.com

CCS Inc. Shanghai Office

Room 308B-309, CIMIC Tower No.1090 Century Avenue,
Pu Dong New Area, Shanghai 200120, P.R. China
TEL : +86-21-5835-8728 / FAX : +86-21-5835-8928
Email : ccschina@ccs-inc.co.jp

CCS Europe NV/SA

Bergensesteenweg 423, Bus 13,
1600 Sint-Pieters-Leeuw, Belgium
TEL : +32-(0)2-333-0080 / FAX : +32-(0)2-333-0081
Email : info@ccseu.com

CCS Inc. Shenzhen office

17B,China Economic Trade Building, 7Rd Zizhu, Zhuzilin,
Futian District, Shenzhen 518040 P.R.China
TEL : +86-755-8279-0477 / FAX : +86-755-8279-0478
Email : ccschina@ccs-inc.co.jp